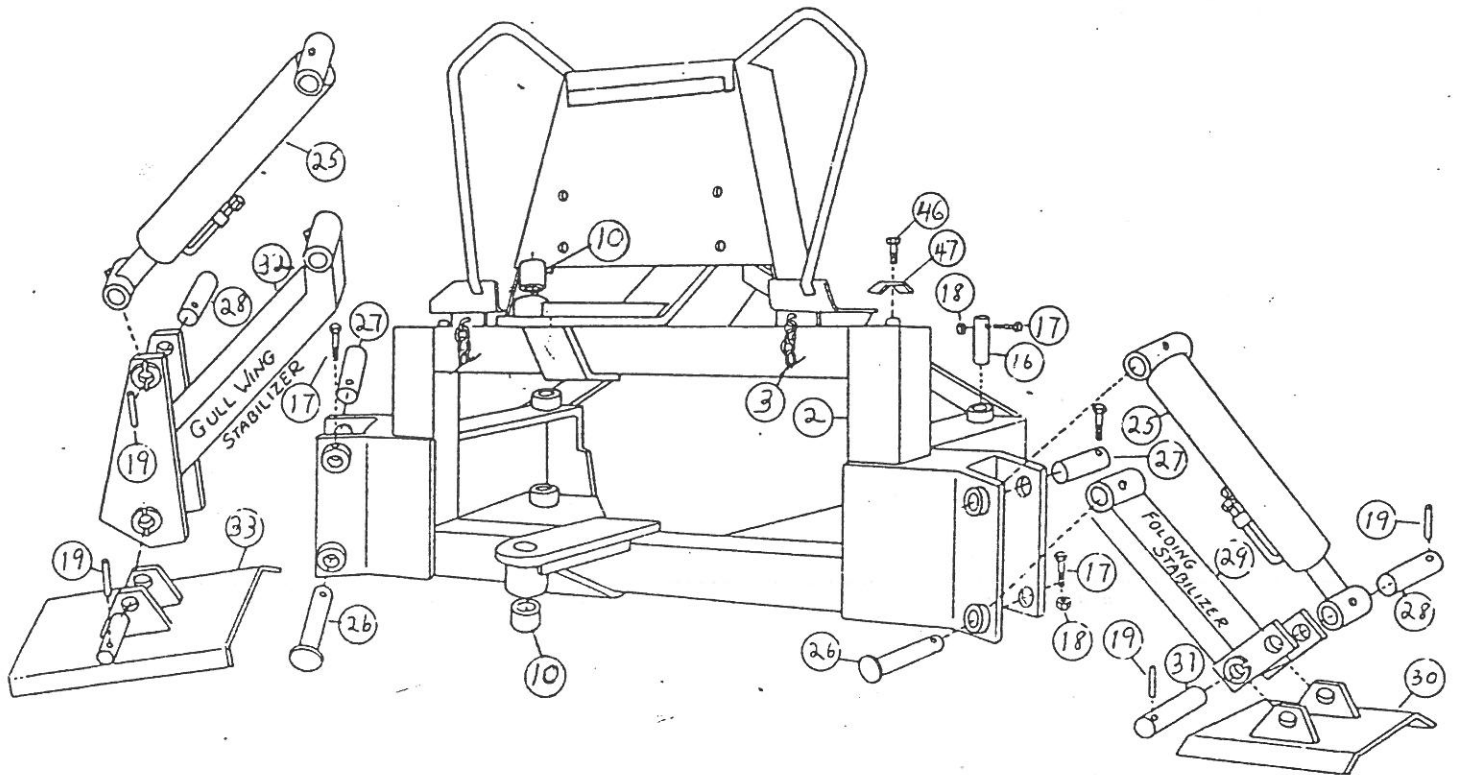
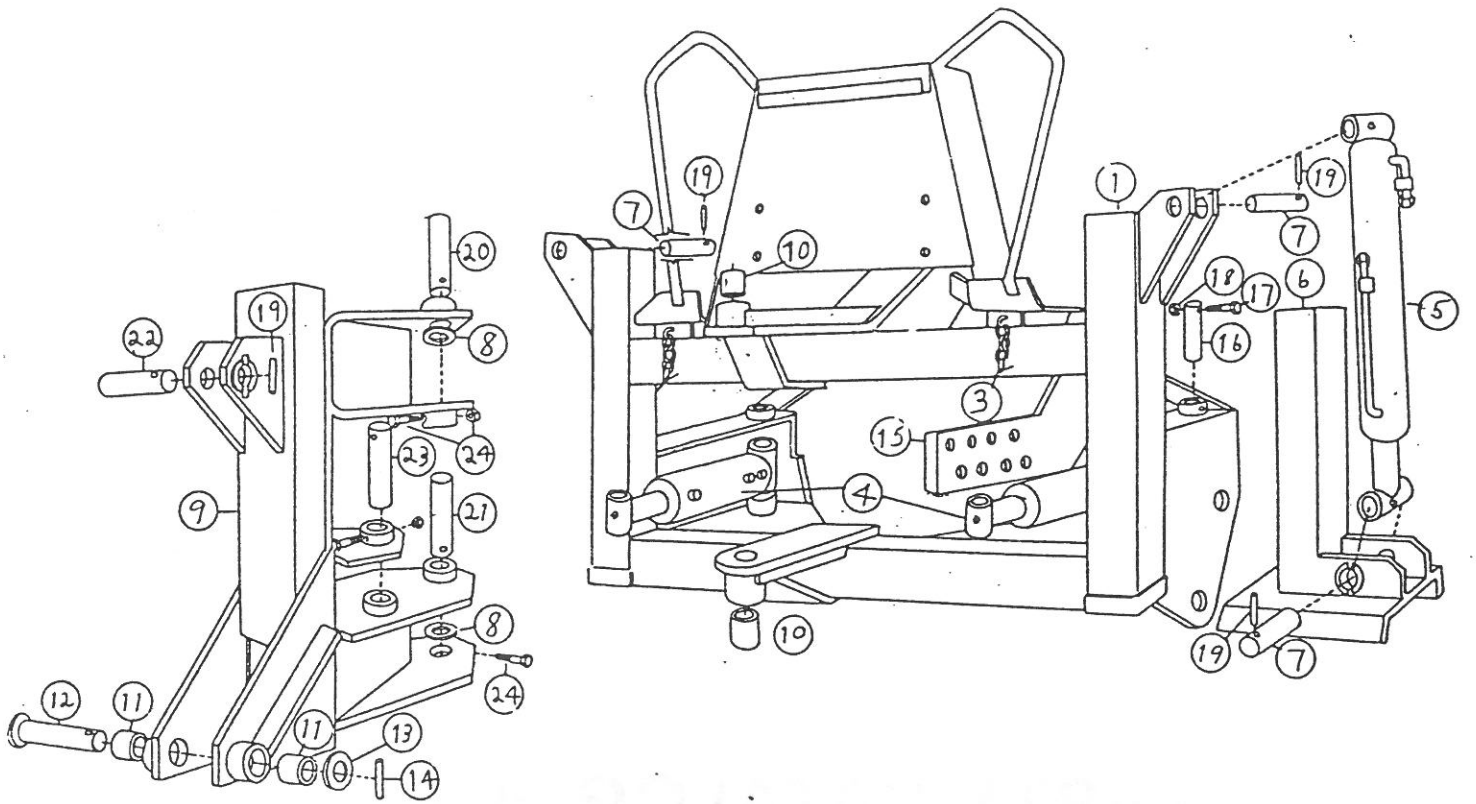
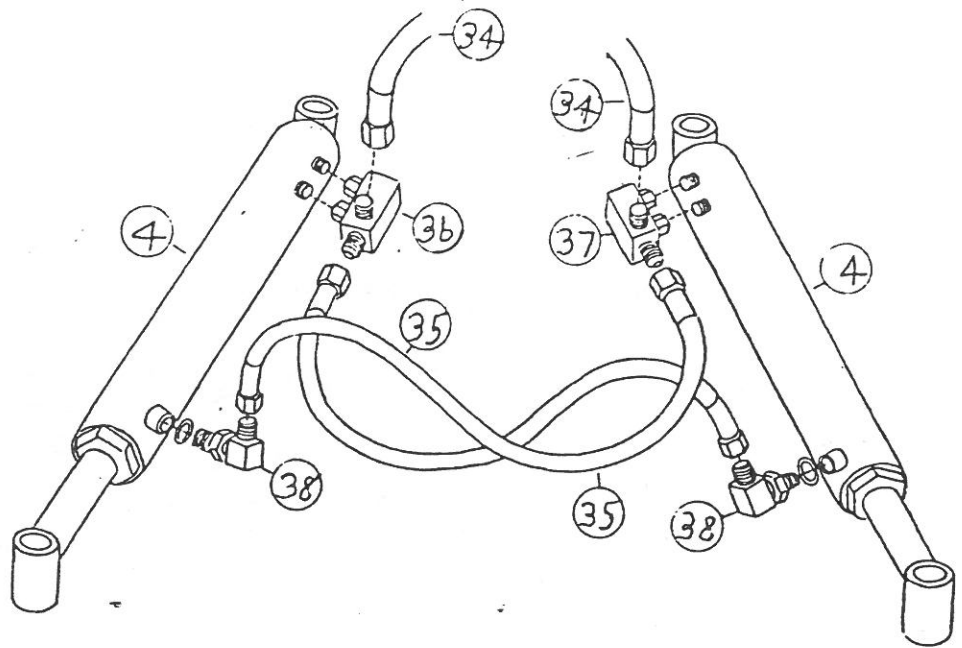
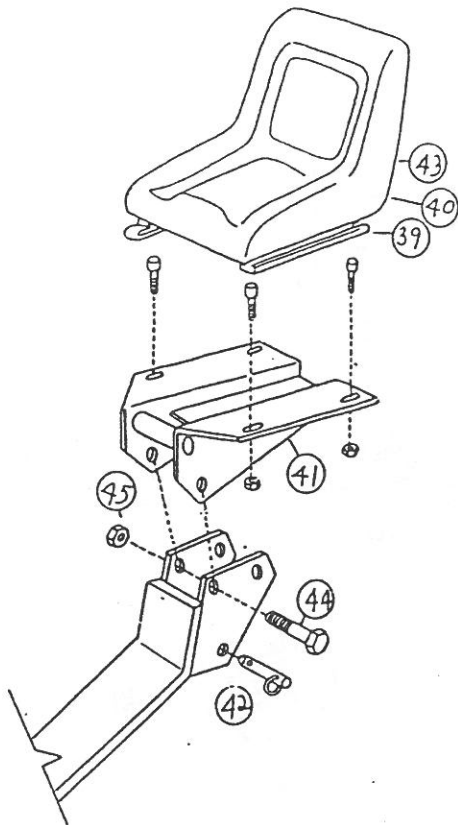


**PARTS CATALOG FOR  
KELLEY BACKHOES**

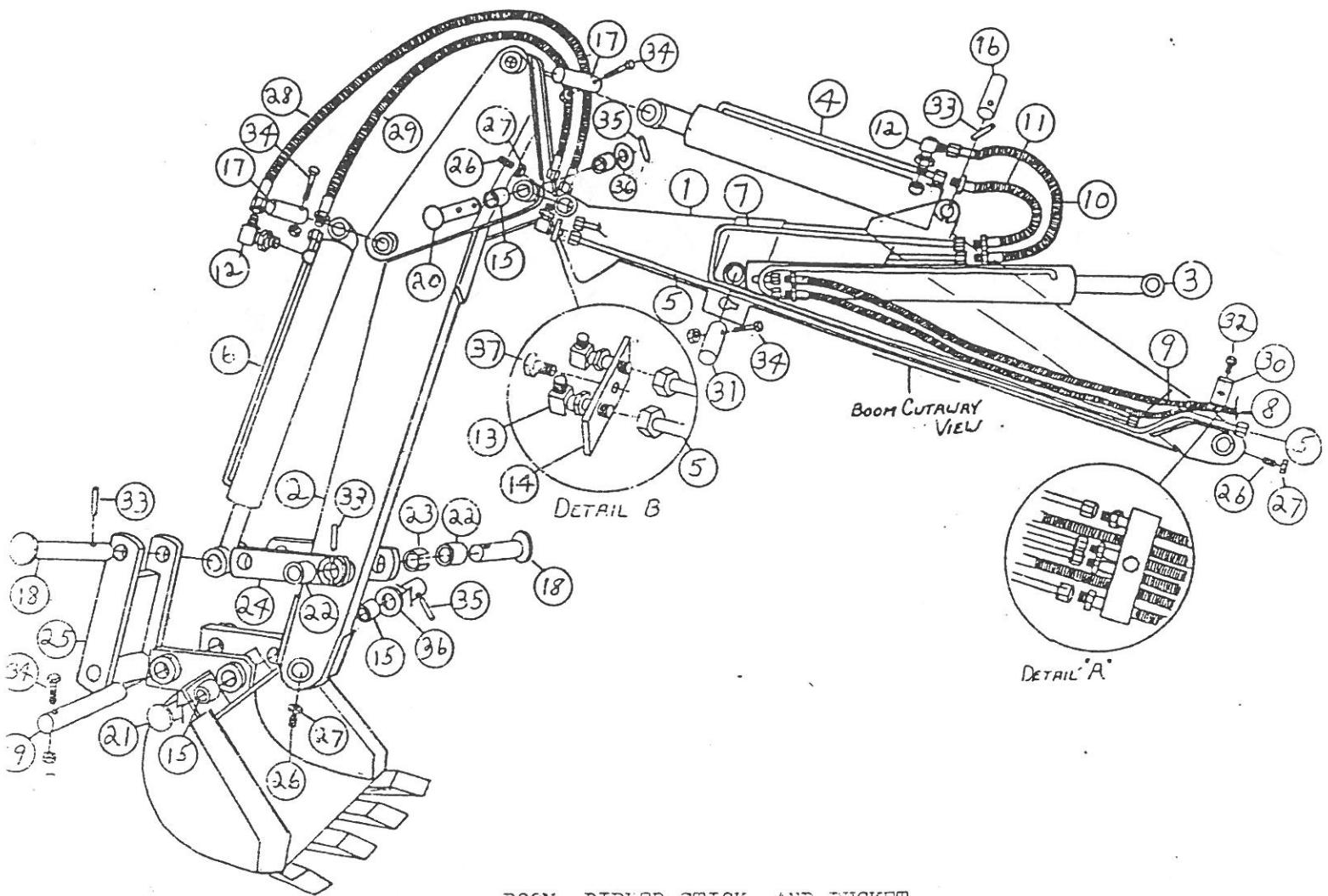
**Models B30E, B30FE, B30GE, BS30E**





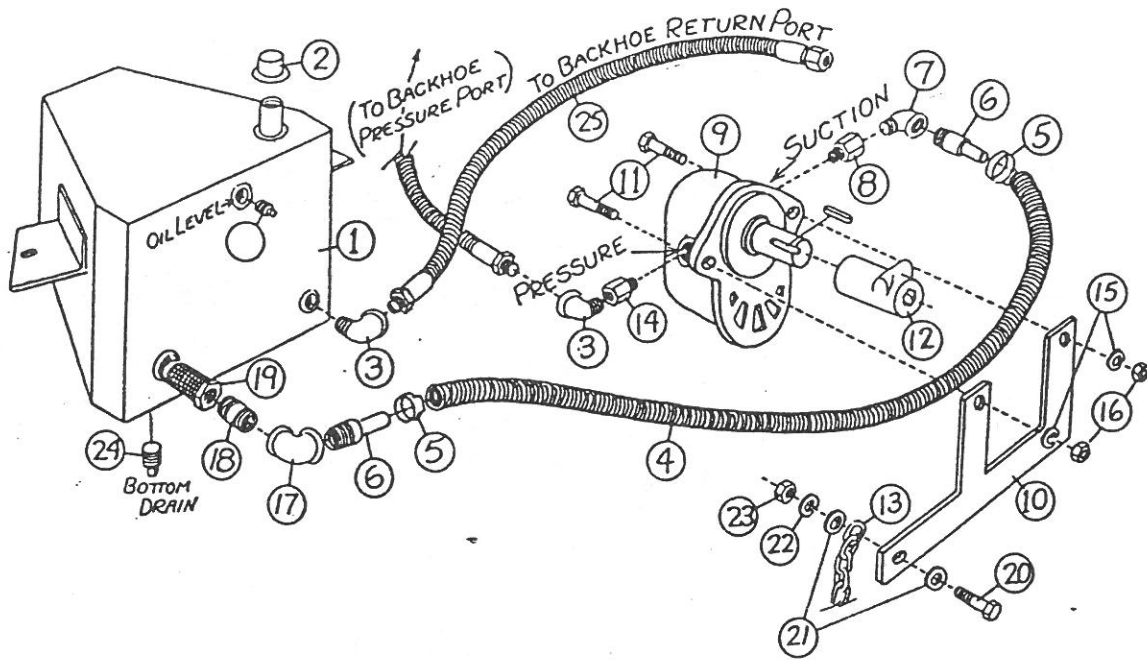
MAIN FRAME, STABILIZER, SEAT AND SWING

ILL. NO.	QTY.	PART NO.	DESCRIPTION	ILL. NO.	QTY.	PART NO.	DESCRIPTION
1	1	BMF11116	Main Frame Weld Assembly	27	2	SPN10975	Pin, 1"x6-5/8" W/5/16" Hole
2	1	BMF11117	Main Frame Weld Assembly	28	2	SPN10443	Pin, 1"x5-1/8" W/5/16" Hole
NI	1	BMF10943	Main Frame For Skid Steer	29	2	BMF11125	Stabilizer, LH & RH Folding
3	1	BMS350	Chain, Safety 46"	30	2	BMF11126	Pad, Stabilizer
4	2	BCY302	Cylinder, 2-1/2"x10" Swing	31	2	SPN10463	Pin, 1"x5-3/4" W/5/16" Hole
5	2	BCY305	Cylinder, 2"x16" Stabilizer	32	2	BMF10276	Gull Wing Stabilizer, RH & LH
6	1	BMF11118	Stabilizer, LH Vertical	33	2	BMF10777	Gull Wing Stabilizer Pad
NI	1	BMF11119	Stabilizer, RH Vertical	34	2	SHO11120	Hose, 4P-6JFS-6JFS-23"
7	4	SPN11129	Pin, 1"x4-1/4" W/5/16" Hole	35	2	SHO10023	Hose, 4P-6JFS-6JFS-26"
8	2	SWS10961	Washer, 1-1/4"ID (heat treated)	36	1	SFT314	Manifold, RH W/Cushion Valve
9	1	BMF10944	Swing Mast, Weld Assembly	37	1	SFT313	Manifold, LH W/Cushion Valve
10	2	SFT10978	Bushing, 1-1/4"IDx1-1/2" W/Groove	38	2	SFT312	Elbow, 853Bx6 O'Ring
11	2	SFT10950	Bushing, 1-1/4"IDx1" W/Groove	39	2	BMS232	Seat Adjuster
12	1	SPN10945	Pin, 1-1/4"x8-3/4" W/Washer W/3/8" Hole	40	1	BMS215	Seat Assembly, Complete
13	1	SWS10952	Washer, 1-1/4"ID	41	1	BMS10186	Folding Seat Base
14	1	SPN10946	Pin, 3/8"x2-1/2" Roll	42	1	SPN10188	Pin, 1/2"x4-1/2" Fast
15	1	BMT326	Third Point Link	43	1	BMS231	Seat
NI	1	SFT327	Bushing, Category II To I	44	1	SBT2050	Capscrew, 1/2"x3-1/2"
16	2	SPN10457	Pin, 1"x6-1/4" W/5/16" Hole	45	1	SNT2060	Locknut, 1/2"
17	8	SBT10795	Capscrew, 5/16"x2"	46	2	SBT2021	Capscrew, 3/8"x3/4"
18	8	SNT2018	Nut, 5/16" NC	47	2	LMT2008	Clamp, Steel Oil Line
19	5	SPN10530	Pin, 5/16"x2" Roll	NI	2	SBT169	Capscrew, 7/8"x2-1/2" NF Grade 3
20	1	SPN10947	Pin, 1-1/4"x5-5/8" Top W/3/8" Hole	NI	2	SWS245	Lockwasher, 7/8" Star
21	1	SPN331	Pin, 1-1/4"x5-1/8" Lower W/3/8" Hole	NI	2	SNT393	Nut, 7/8" NF
22	1	SPN332	Pin, 1"x3" W/5/16" Hole	NI	6	SWS2033	Lockwasher, 3/8" Star
23	2	SPN10459	Pin, 1"x4-7/8" W/5/16" Hole	NI	2	SWS2019	Lockwasher, 5/16" Star
24	2	SBT10796	Capscrew, 3/8"x2-1/2"	NI	2	SPN10461	Pin, 7/8"x4-5/8" W/Washer, Hitch
24	2	SNT2031	Nut, 3/8" NC	NI	2	SPN10455	Pin, 7/8"x5-7/8" W/Washer, Link Lock
25	2	BCY10948	Cylinder, 2-1/2"x13" Folding And Gull Wing	NI	2	SCL10085	Hose Clamp For Gull Wing or Folding Stabilizer
26	2	SPN10949	Pin, 1"x6-5/8" W/Washer 5/16" Hole				



BOOM, DIPPER STICK, AND BUCKET

Ill. No.	Qty.	Part No.	Description	Ill. No.	Qty.	Part No.	Description
1	1	BMF10954	Boom Weld Assembly	20	1	SPN10976	Pin, 1-1/4" x 8-1/4" w/Head
2	1	BMF10955	Stick Weld Assembly	21	1	SPN10957	Pin, 1-1/4" x 7-3/8" w/Head
3	1	BCY305	Cylinder, 2-1/2" x 26" Boom	22	2	SFT10979	Bushing, 1" I.D. x 1" Steel
4	1	BCY304	Cylinder, 2-1/2" x 20" Dipper	23	1	SFT10958	Spacer, Steel Bushing
5	2	BCL353	Steel Oil Line, Bucket	24	2	BMF10465	Link, Cylinder
6	1	BCY10956	Cylinder, 2-1/2" x 20" Bucket	25	1	BMF10467	Link, Bucket
7	2	BOL352	Steel Oil Line, Dipper	26	2	SBT10959	Set Screw, 3/8" x 1" Hollow Head
8	1	SHO10967	Hose, 6P-6JFS-6JM-82" Boom Raise	27	2	SNT10081	Nut, 3/8" Jam NC
9	1	SHO10945	Hose, 4P-6JFS-6JM-84" Boom Lower	28	1	SHO10472	Hose, 6P-6JFS-6JFS-33"
10	1	SHO10043	Hose, 6P-6JM-6JFS-15" Dipper In	29	1	SHO10473	Hose, 4P-6JFS-6JM-33"
11	1	SHO10960	Hose, 4P-6JM-6JM-15" Dipper Out	30	1	SCL324	Hose Clamp
12	2	SFT312	Elbow, 3638 x 6 Swivel	31	1	SPN10458	Pin, 1" x 7" w/5/16" Hole
13	2	SFT311	Fitting, 8338 x 6 Bulkhead	32	1	SBT2022	Capscrew, 3/8" x 1"
14	1	BMT325	Bulkhead Elbow Retaining Plate	33	3	SPN10530	Pin, 5/15" x 2" Roll
15	4	SFT10950	Bushing, 1-1/4" I.D. x 1" Steel	34	3	SBT10795	Capscrew, 5/16" x 2" w/Nut
16	1	SPN118	Pin, 1" x 5-3/4" w/5/16" Hole	35	2	SPN10946	Pin, 3/8" x 2-1/2" Roll
17	2	SPN10463	Pin, 1" x 5-3/4" w/5/16" Hole	36	2	SWS10952	Washer, 1-1/4" I.D.
18	2	SPN10460	Pin, 1" x 5-3/4" w/Washer	NI	7	SFT2012	Drive Zerk, 5/16"
19	1	SPN10975	Pin, 1" x 6-5/8"	37	1	SRT10502	Screw, 1/4" x 3/4" Self Tapping

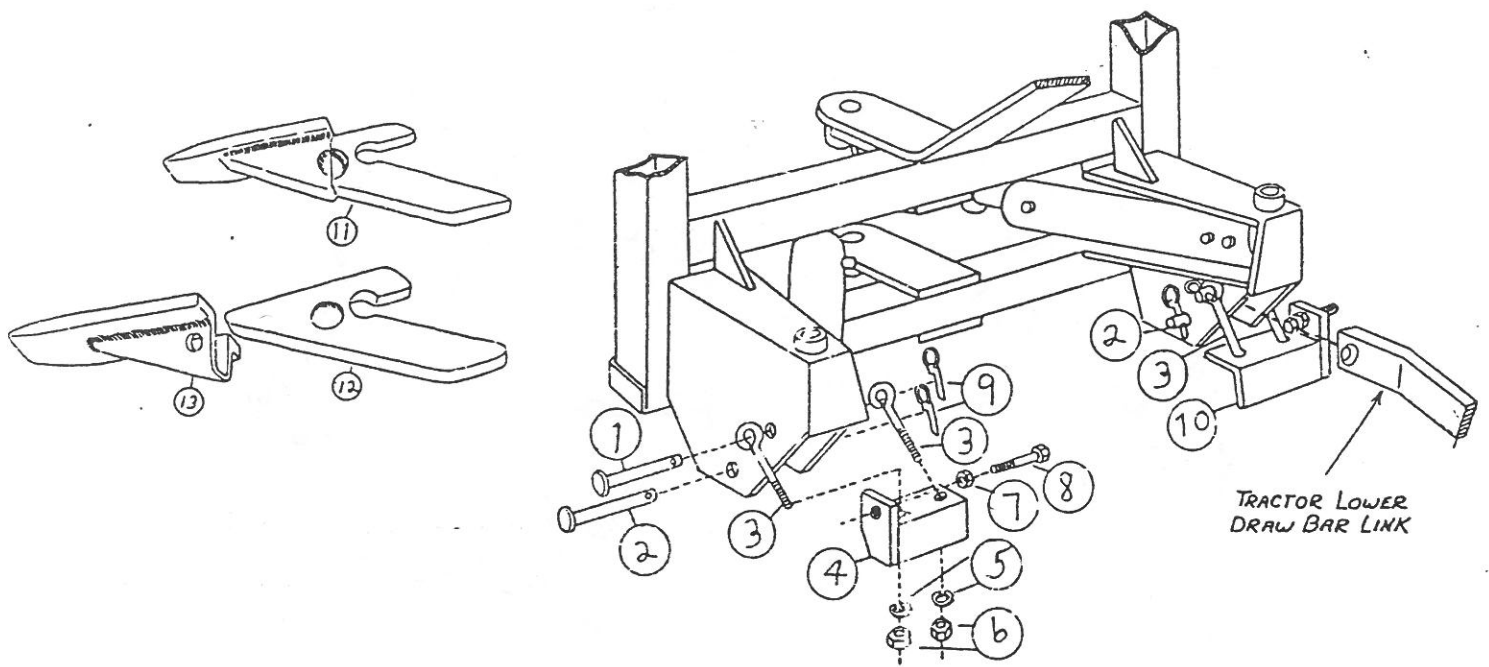


BCP10339 540RPM PTO INDEPENDENT  
HYDRAULIC PUMP SYSTEM

BCP10360 1000RPM PTO INDEPENDENT  
HYDRAULIC PUMP SYSTEM

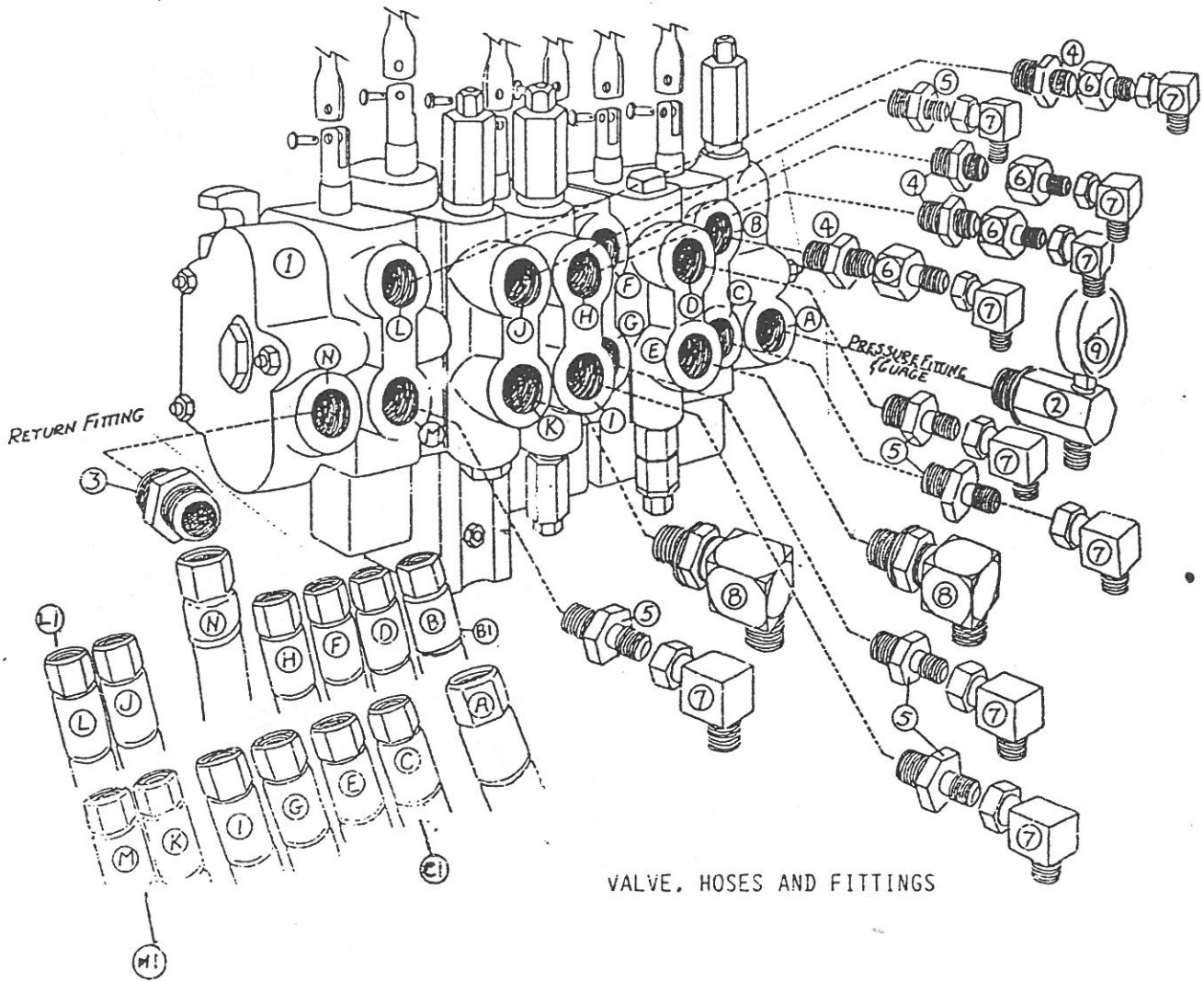
Ill. No.	Qty.	Part No.	Description
1	1	BPP11127	Reservoir
2	1	SPP2639	Breather Cap
3	2	SFT2527	Street Elbow, 1/2"
4	1	SHO11140	Hose, 16R-0-0-50" Suction
5	2	SCL2640	Hose Clamp, 1"
6	2	SFT2562	Hose Nipple, 3/4"
7	1	SFT2528	90 Degree Street Elbow, 3/4"
NI	1	SFT2565	Reducer Bushing, 1" to 3/4" (to be placed between items 7 & 8)
8	1	SFT2644	Pump Adapter 6405-20
9	1	SPP6242	Webster 388KB1 Pump
10	1	SPP6245	Torque Bar For 388KB1 Pump
11	2	SBT2047	Capscrew, 1/2" x 2"
12	1	SPP6243	540, 1-3/8" PTO Pump Drive
13	1	SMS101	Torque Chain, 24"
14	1	SFT2645	Pressure Fitting 5406-20-16
15	2	SWS2061	Lockwasher, 1/2"
16	2	SNT2062	Nut, 1/2"
17	1	SFT10013	90 Degree Reducer Elbow, 3/4" x 1"
18	1	SFT2510	Close Nipple, 1"
19	1	SPP6230	Filter
20	2	SBT2026	Capscrew, 3/8" x 2-1/4"
21	4	SWS2034	Flatwasher, 3/8"
22	2	SWS2033	Lockwasher, 3/8"
23	2	SNT2031	Nut, 3/8"
24	1	SFT2503	Pipe Plug, 1/2"
25	1	SHO11123	Hose, 8P-8-8JFS-50" Return (On Backhoe)
NI	6	SBT2043	Capscrew, 1/2" x 1-1/2"
NI	6	SWS2061	Lockwasher, 1/2" Star
NI	6	SNT2062	Nut, 1/2"
NI	1	BCP10109	Parts Carton (except reservoir)

Ill. No.	Qty.	Part No.	Description
1	1	BPP11127	Reservoir
2	1	SPP2639	Breather Cap
3	2	SFT2527	Street Elbow, 1/2"
4	1	SHO10015	Hose, 16R-0-0-40" Suction
5	2	SCL2640	Hose Clamp, 1"
6	2	SFT2562	Hose Nipple, 3/4"
7	1	SFT2528	90 Degree Street Elbow, 3/4"
8	1	SFT10104	Adapter, C3296 x 14 x 12
9	1	SPP6213	Webster YC155 Pump
10	1	SPP10105	Torque Bar for YC155 Pump
11	2	SBT2037	Capscrew, 7/16" x 1-3/4"
12	1	SPP10078	Webster YC155 Pump Drive
13	1	SMS101	Torque Chain, 24"
14	1	SFT10106	Fitting, C3296 x 10 x 8
15	2	SWS2042	Lockwasher, 7/16"
16	2	SNT2041	Nut, 7/16"
17	1	SFT10013	90 Degree Elbow, 3/4" x 1"
18	1	SFT2510	Close Nipple, 1"
19	1	SPP6230	Filter
20	2	SBT2026	Capscrew, 3/8" x 2-1/4"
21	4	SWS2034	Flatwasher, 3/8"
22	2	SWS2033	Lockwasher, 3/8"
23	2	SNT2031	Nut, 3/8"
24	1	SFT2503	Pipe Plug, 1/2"
25	1	SHO11123	Hose, 8P-8-8JFS-50" Return (On Backhoe)
NI	4	SBT2043	Capscrew, 1/2" x 1-1/2"
NI	4	SWS2061	Lockwasher, 1/2" Star
NI	4	SNT2062	Nut, 1/2"
NI	1	BCP359	Parts Carton (except reservoir)



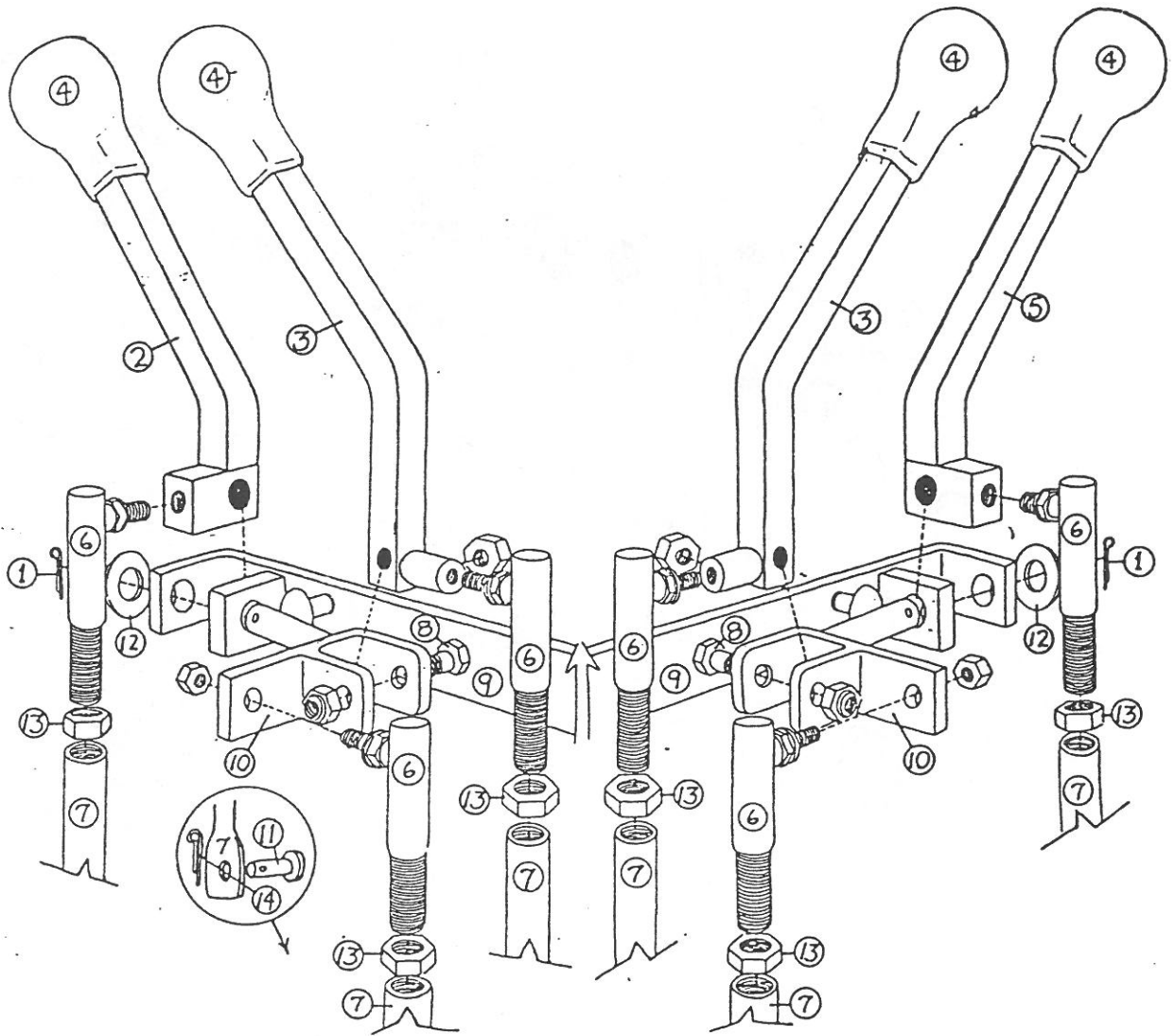
### LOWER LINK LOCKS AND BUCKET TEETH

1	2	SPN10455	PIN, 7/8" x 5-7/8" W/WASHER LINK LOCK
2	2	SPN10453	PIN, 7/8" x 4-3/8" W/WASHER, HITCH
3	4	SBT10452	EYEBOLT, 3/4"
4	1	BMF10451	LOWER LINK LOCK, L.H.
5	4	SWS2103	LOCKWASHER, 3/4"
6	4	SNT2102	NUT, 3/4"
7	2	SNT10584	JAM NUT, 3/4"
8	2	SBT10486	CAPSCREW, 3/4" x 3-1/2" W/EXTRA THREADS
9	4	SPN141	LYNCH PIN
10	1	BMF10450	LOWER LINK LOCK, R.H.
11		BBK192	TOOTH ASSEMBLY
12		BBK167	SHANK, TOOTH
13		BBK168	POINT, TOOTH



VALVE, HOSES AND FITTINGS

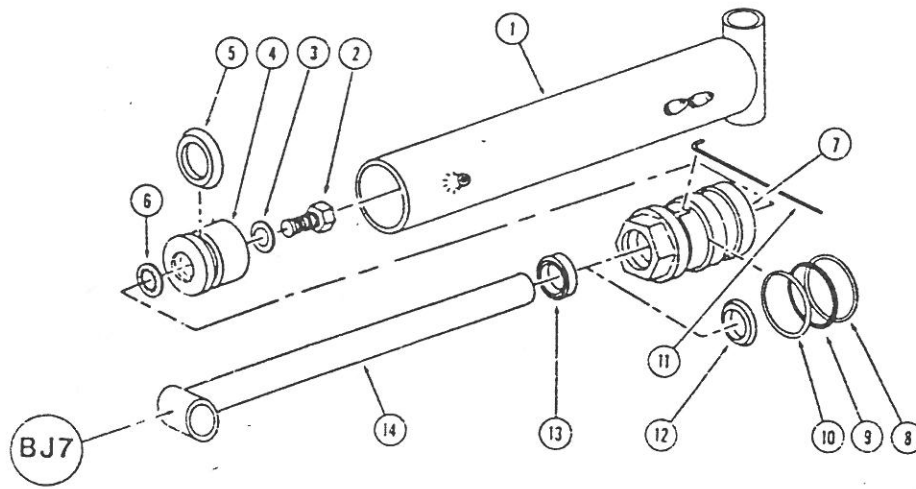
1	1	SVV10528	VALVE, REXNORD
1	1	986757	VALVE, REXNORD W/FLOAT SPOOL
1	1	SFT250	SPECIAL INLET AND GAUGE FITTING
3	1	SFT310	RETURN FITTING
4	4	SFT270	ADAPTER, 8 O'RING TO 8JM
5	6	SFT307	ADAPTER, 8 O'RING TO 6JM
6	4	SFT10921	ADAPTER, 8 TO 6JIC
6	4	SNT10922	NUT, 8JIC
7	10	SFT308	ELBOW, 6FS TO 6JM
8	2	SFT306	ELBOW, 8 O'RING TO 6JM
9	1	SMS10033	PRESSURE GAUGE
A	1	SH0252	HOSE, 6P-8JFS-8-50" PRESSURE
B	1	SH010923	HOSE, 6P-6JFS-6JM-29" R.H. LOWERING F/VERTICAL STABILIZER
B1	1	SH011121	HOSE, 6P-6JFS-6JM-40" R.H. LOWERING F/FOLDING STABILIZER
C	1	SH0336	HOSE, 4P-6JFS-6JM-28" R.H. LIFT F/VERTICAL STABILIZER
C1	1	SH011122	HOSE, 4P-6JFS-6JM-40" R.H. LIFT F/FOLDING STABILIZER
D	1	SH0342	HOSE, 4P-6JFS-6JM-67" DIPPER STICK OUT
E	1	SH010069	HOSE, 6P-6JFS-6JM-67" DIPPER STICK IN
F	1	SH010924	HOSE, 6P-6JFS-6JM-50" BUCKET CURL
G	1	SH0338	HOSE, 4P-6JFS-6JM-40" BUCKET UNCURL
H	1	SH011120	HOSE, 4P-6JFS-6JFS-23" L.H. SWING CYLINDER
I	1	SH011120	HOSE, 4P-6JFS-6JFS-23" R.H. SWING CYLINDER
J	1	SH010925	HOSE, 6P-6JFS-6JM-82" BOOM LOWER
K	1	SH0344	HOSE, 4P-6JFS-6JM-84" BOOM RAISE
L	1	SH0923	HOSE, 6P-6JFS-6JM-29" L.H. LOWERING F/VERTICAL STABILIZER
L1	1	SH011121	HOSE, 6P-6JFS-6JM-40" L.H. LOWERING F/FOLDING STABILIZER
M	1	SH0336	HOSE, 4P-6JFS-6JM-28" L.H. LIFT F/VERTICAL STABILIZER
M1	1	SH011122	HOSE, 4P-6JFS-6JM-40" L.H. LIFT F/FOLDING STABILIZER
N	1	SH011123	HOSE, 8P-8JFS-8-50"



### VALVE CONTROLS

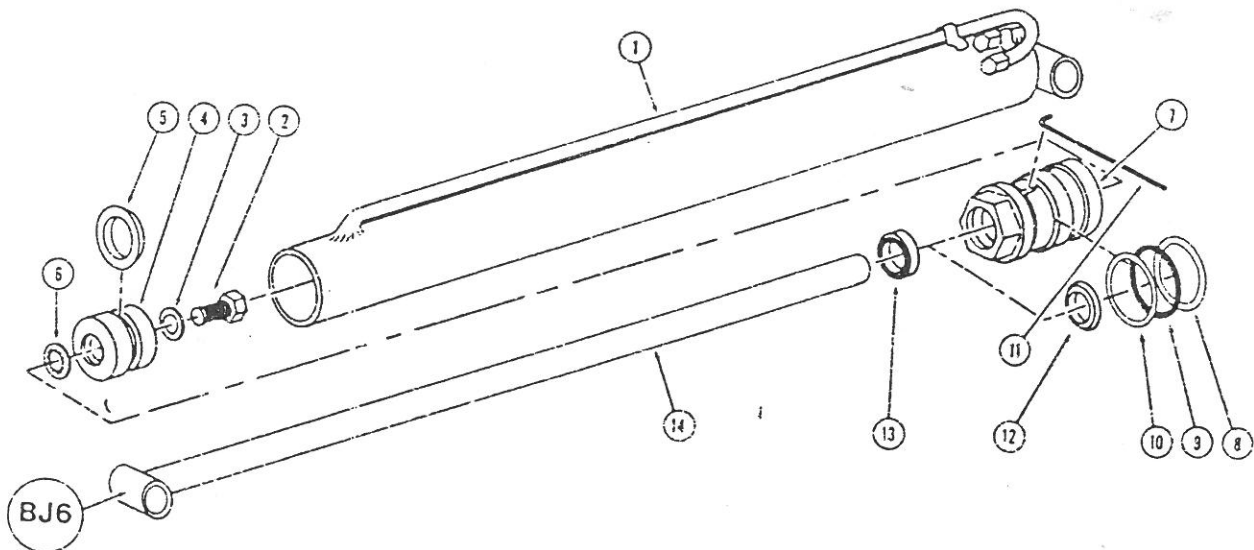
ILL. NO.	QTY.	PART NO.	DESCRIPTION
1	2	SPN2113	COTTER PIN, 1/8" x 1"
2	1	BMS10054	CONTROL HANDLE, STABILIZER RH
3	2	BMS10053	CONTROL HANDLE, DIPPER/BUCKET/BOOM/SWING
4	6	SMS10030	HANDLE GRIP
5	1	BMS10052	CONTROL HANDLE, STABILIZER LH
6	6	BMS10055	BALL JOINT CONNECTOR
7	6	BMS335	CONTROL ROD, 5"
7	1	BMS11124	CONTROL ROD (FOR FLOAT SPOOL SECTION, 4-1/8"
8	2	SMS10057	LEVER BOLT W/LOCKNUT
9	1	BMS10058	CONTROL BRACKET
10	2	BMS10059	CONTROL PIVOT BRACKET ASSEMBLY
11	6	SPN10060	CONTROL ROD PIN, 1/4" x 3/4"
12	2	SWS2112	WASHER, 1/2" S.A.E.
13	6	SNT10032	JAM NUT, 7/16" NF
14	6	SPN297	COTTER PIN, 1/16" x 1"
NI	1	BMS10062	CONTROL HANDLE ASSEMBLY (INCLUDES ALL PARTS EXCEPT ILL. NO'S 1, 7, AND 11)





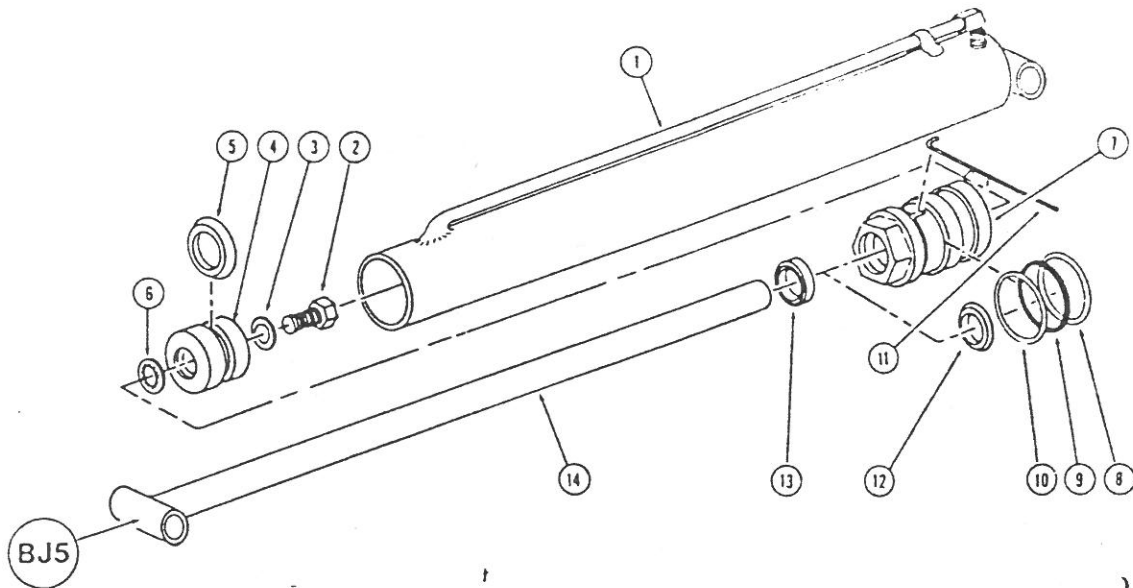
BCY302, 2-1/2" x 10" SWING CYLINDER

I11.				I11.			
No.	Qty.	Part No.	Description	No.	Qty.	Part No.	Description
1	1	SCY1083	Barrel Assembly	8	2	SCY1070	Back-Up Rings
2	1	SBT1017	Capscrew, 7/8"	9	1	SCY1024	O'Ring
3	1	SCY1018	Dyna Seal, 7/8"	11	1	SCY1036	Lockwire
4	1	SCY356	Piston	12	1	SCY1025	Rod Seal
5	1	SCY1019	Piston Seal	13	1	SCY1027	Rod Wiper
6	1	SWS245	Internal Lockwasher	14	1	SCY1082	Rod Assembly
7	1	SCY1023	Cylinder Head	N.I.	1	SCY1030	Seal Kit



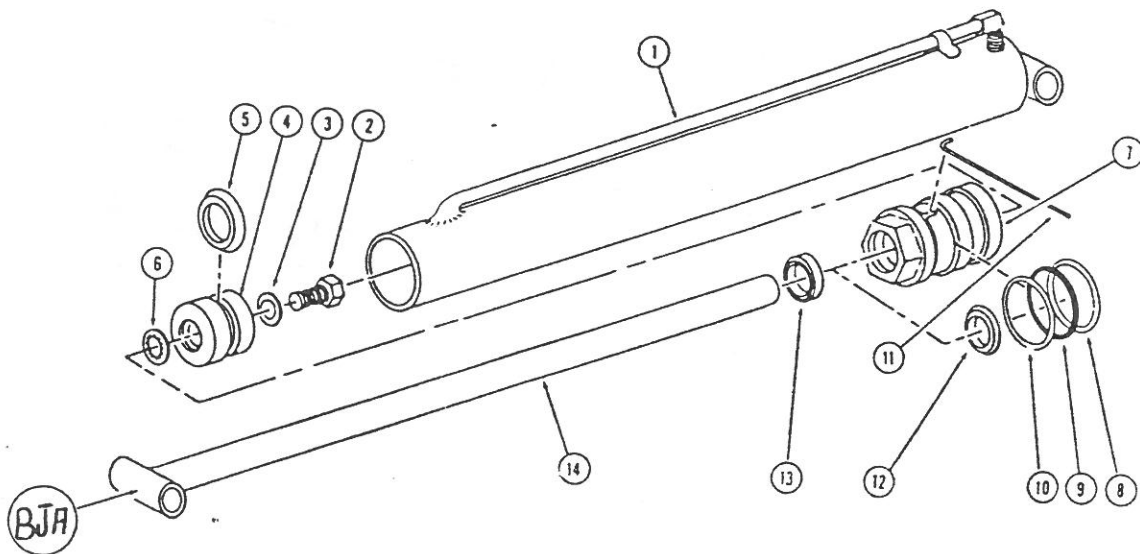
BCY303, 2-1/2" x 26" BOOM CYLINDER

I11.				I11.			
No.	Qty.	Part No.	Description	No.	Qty.	Part No.	Description
1	1	SCY1085	Barrel Assembly	8	2	SCY1070	Back-Up Rings
2	1	SBT1017	Capscrew, 7/8"	9	1	SCY1024	O'Ring
3	1	SCY1018	Dyna Seal, 7/8"	11	1	SCY1036	Lockwire
4	1	SCY1020	Piston	12	1	SCY1025	Rod Seal
5	1	SCY1019	Piston Seal	13	1	SCY1027	Rod Wiper
6	1	SWS245	Internal Lockwasher	14	1	SCY1084	Rod Assembly
7	1	SCY1023	Cylinder Head	N.I.	1	SCY1030	Seal Kit



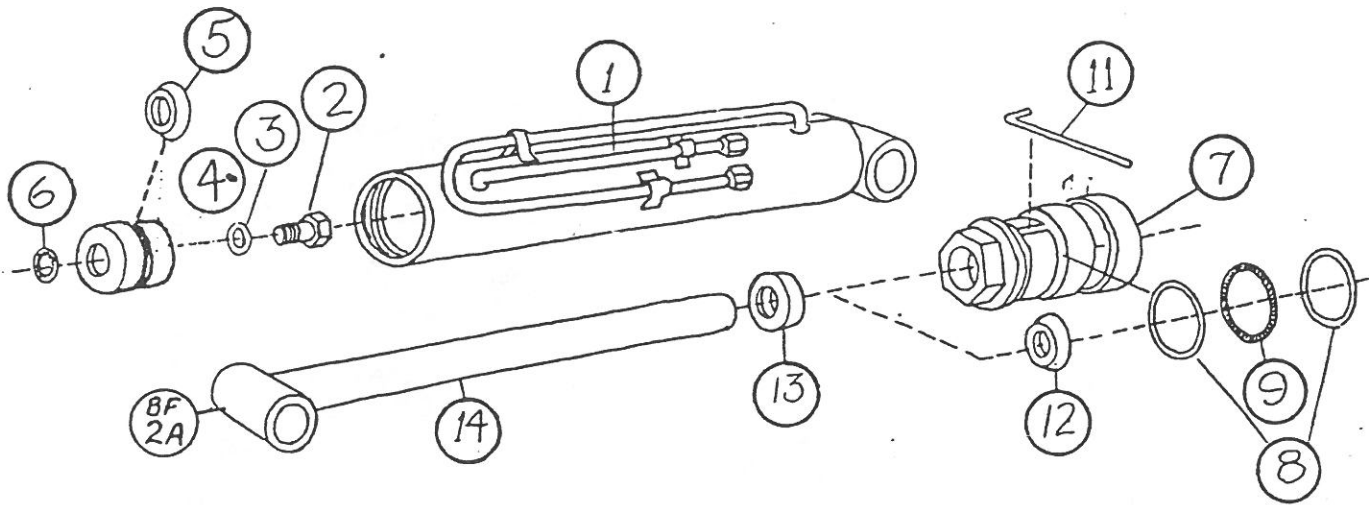
BCY304, 2-1/2" x 20" DIPPER CYLINDER

Ill.				Ill.			
No.	Qty.	Part No.	Description	No.	Qty.	Part No.	Description
1	1	SCY1087	Barrel Assembly	8	2	SCY1070	Back-Up Rings
2	1	SBT1017	Capscrew, 7/8"	9	1	SCY1024	O'Ring
3	1	SCY1018	Dyna Seal, 7/8"	11	1	SCY1036	Lockwire
4	1	SCY1020	Piston	12	1	SCY1025	Rod Seal
5	1	SCY1019	Piston Seal	13	1	SCY1027	Rod Wiper
6	1	SWS245	Internal Lockwasher	14	1	SCY1086	Rod Assembly
7	1	SCY1023	Cylinder Head	N.I.	1	SCY1030	Seal Kit



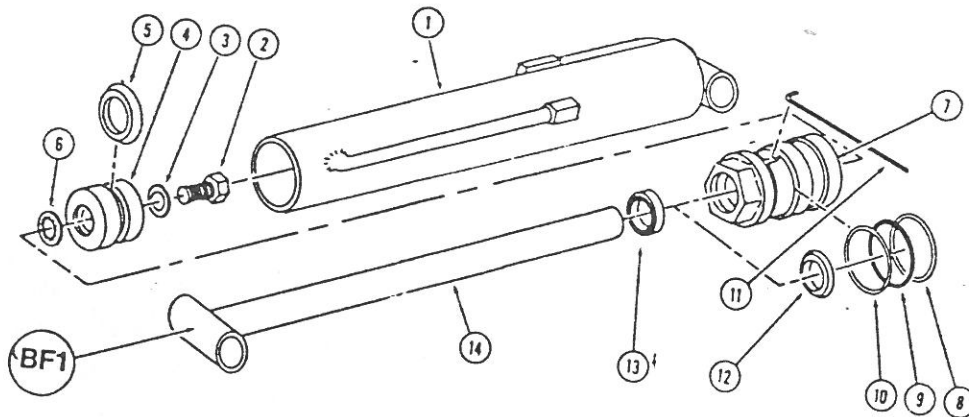
BCY10956, 2-1/2" x 20" BUCKET CYLINDER

Ill.				Ill.			
No.	Qty.	Part No.	Description	No.	Qty.	Part No.	Description
1	1	SCY1087	Barrel Assembly	8	2	SCY1070	Back-Up Ring
2	1	SBT1017	Capscrew, 7/8"	9	1	SCY1024	O'Ring
3	1	SCY1018	Dyna Seal, 7/8"	11	1	SCY1036	Lockwire
4	1	SCY1020	Piston	12	1	SCY1025	Rod Seal
5	1	SCY1019	Piston Seal	13	1	SCY1027	Rod Wiper
6	1	SWS245	Internal Lockwasher	14	1	SCY10982	Rod Assembly
7	1	SCY1023	Cylinder Head	N.I.	1	SCY1030	Seal Kit



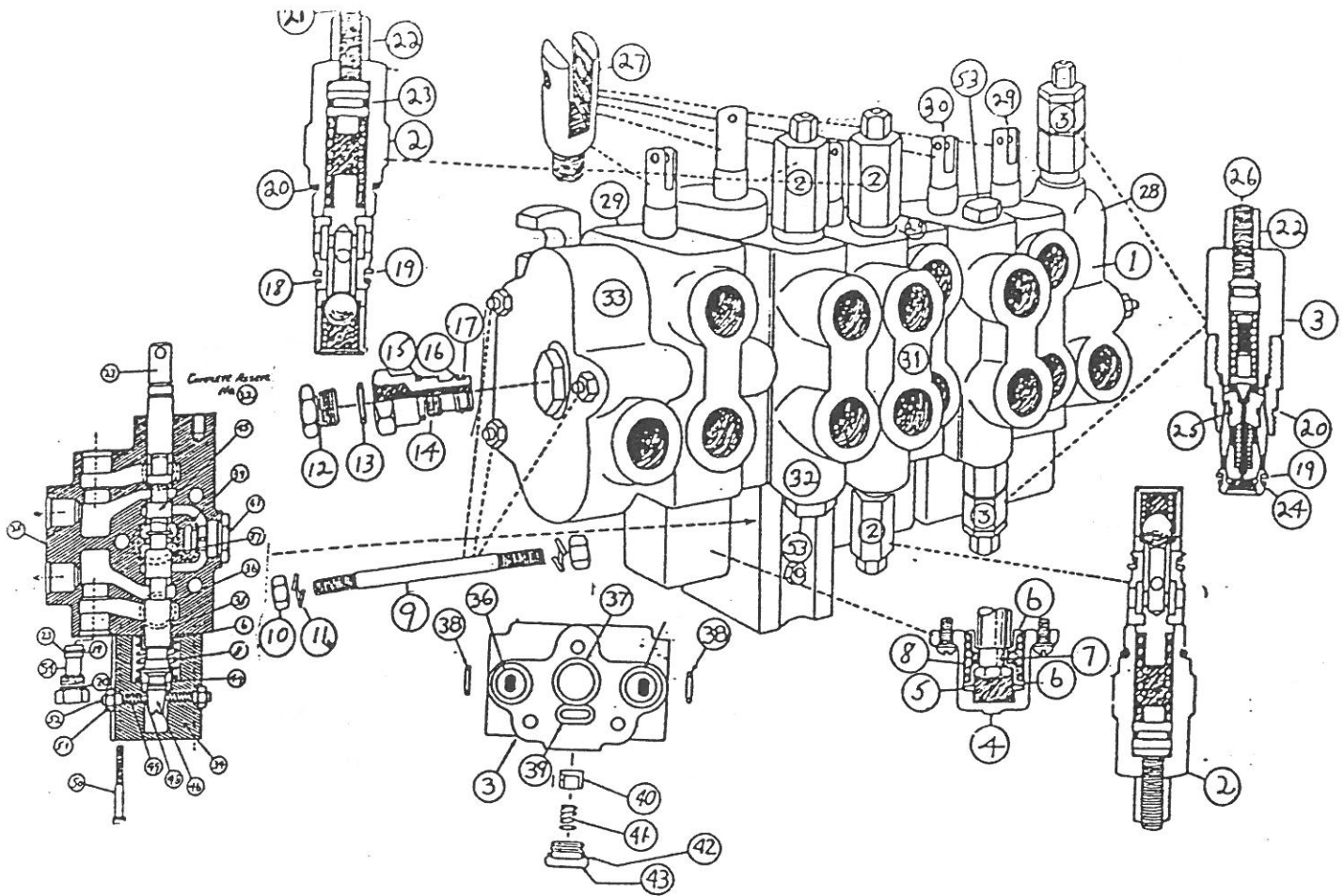
BCY10948, 2-1/2" x 13" FOLDING AND GULL WING STABILIZER CYLINDER

I11.				I11.			
No.	Qty.	Part No.	Description	No.	Qty.	Part No.	Description
1	1	SCY10980	Barrel Assembly	8	2	SCY1070	Back-Up Rings
2	1	SBT1017	Capscrew, 7/8"	9	1	SCY1024	O'Ring
3	1	SCY1018	Dyna Seal, 7/8"	11	1	SCY1036	Lockwire
4	1	SCY1020	Piston	12	1	SCY1025	Rod Seal
5	1	SCY1019	Piston Seal	13	1	SCY1027	Rod Wiper
6	1	SWS245	Internal Lockwasher	14	1	SCY10981	Rod Assembly
7	1	SCY1023	Cylinder Head	N.I.	1	SCY1030	Seal Kit



BCY305, 2" x 16" STABILIZER CYLINDER

I11.				I11.			
No.	Qty.	Part No.	Description	No.	Qty.	Part No.	Description
1	1	SCY1089	Barrel Assembly	8	2	SCY10063	Back-Up Ring
2	1	SBT1017	Capscrew, 7/8"	9	1	SCY1035	O'Ring
3	1	SCY1018	Dyna Seal, 7/8"	11	1	SCY1036	Lockwire
4	1	SCY1032	Piston	12	1	SCY1025	Rod Seal
5	1	SCY1031	Piston Seal	13	1	SCY1027	Rod Wiper
6	1	SWS245	Internal Lockwasher	14	1	SCY1088	Rod Assembly
7	1	SCY1034	Cylinder Head	N.I.	1	SCY1038	Seal Kit



B30, B60 AND B70 HYDRAULIC VALVE

QTY.	PART NO.	DESCRIPTION	QTY.	PART NO.	DESCRIPTION	
1	SVV10528	VALVE, REXNORD	28	1	981113	INLET SECTION
1	986757	VALVE, REXNORD W/FLOAT SPOOL	29	3	981100	L.H. AND R.H. STABILIZER & BUCKET
2	785197	CARTRIDGE, RELIEF ANTI-CAVITATION	30	1	980972	STICK CYLINDER SECTION
3	785057	CARTRIDGE, RELIEF	31	1	980973	SWING SECTION
4	254000	COVER	32	1	981139	BOOM SECTION W/FLOAT POSITION
5	255034	SPACER	32	1	980974	BOOM SECTION W/O FLOAT POSITION
6	255013	SPRING RETAINER	33	1	980774	OUTLET SECTION
6	255035	SPOOL END	34	1	254235	LOWER EXTENSION
6	410512	SPRING	35	1	254241	SECTION BODY
6	255162	TIE ROD	36	12	490308	O'RING
9	401033	TIE ROD NUT	37	6	405895	O'RING
10	400908	TIE ROD LOCKWASHER	38	12	401248	O'RING
11	355098	PLUG #10	39	6	406127	O'RING
12	405393	O'RING	40	6	255021	LOAD CHECK PISTON
13	255049	POWER BEYOND SLEEVE (OPTIONAL)	41	6	410520	SPRING
14	405688	O'RING (OPTIONAL)	42	6	405688	O'RING
15	490975	BACK-UP RING (OPTIONAL)	43	8	255020	PLUG
16	406460	O'RING (OPTIONAL)	44	1	255258	SPRING RETAINER
17	404463	O'RING	45	1	255257	SPOOL ASSEMBLY
18	490963	BACK-UP RING	46	1	255305	SPOOL END, FLOAT
19	405393	O'RING	47	1	785011	LOAD CHECK ASSEMBLY
20	410556	ADJUSTMENT SCREW	48	2	401072	BALL, DETENT
21	255271	JAM NUT	49	2	410560	SPRING, DETENT
22	401272	O'RING	50	2	402964	SCREW, ALLEN HEAD
23	406484	O'RING	51	2	401032	NUT
24	407229	SEAT, O'RING	52	2	410540	SCREW, ALLEN HEAD
25	410540	ADJUSTMENT SCREW	53	2	785012	#8 SAE PLUG (COMPLETE)
26	255002	FEMALE SPOOL END	54	2	255033	#8 SAE PLUG (ONLY)